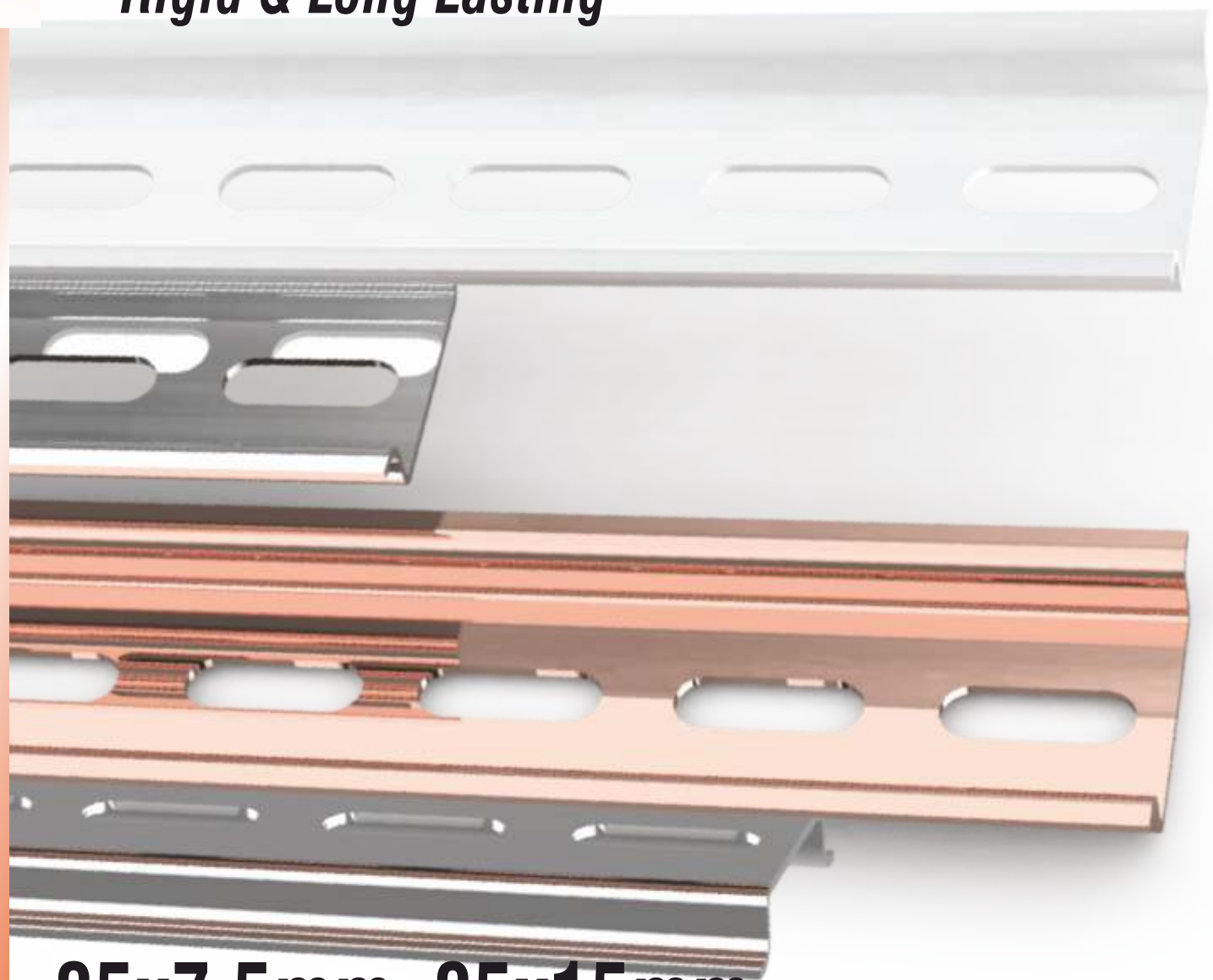


# 77 Series Din Rail

*Rigid & Long Lasting*



**35x7.5mm, 35x15mm**

## Product Highlights:

- Our Din rails allow many components to be fixed in a panel with only a few screws to anchor the rail to the panel.
- Our Din rails allow easy installation and removal of a block in a row.
- DIN rail dimensions are according to EN 60715.
- Custom length and custom hole sizes available.
- Copper and Aluminium Din Rails available.
- Dimensional exactness and surface treatment made up to max level.
- Mounting hole sizes suitable for M5 & M6 available.

## DIN Rail 35x7.5, 35x15



Steel



Aluminium



Copper

## ORDERING TABLE

**77.02.14.01**

**Series**  
77 Series  
Din Rail

**Material**

- 01 | Copper
- 02 | Aluminium
- 03 | Steel

**Length**

- 1 | 1meter
- 2 | 2meter

**Plating**

- 1 | Zinc Plated with Blue passivated
- 2 | Zinc Plated with Yellow passivated
- 3 | Anodizing (Only for Aluminium)
- 4 | Without plated (Only for Copper)

**Types**

- 01 | 35x7.5 M6 Perforated 18mm slot
- 02 | 35x7.5 M5 Perforated 25mm slot
- 03 | 35x7.5 M6 Perforated 15mm slot
- 04 | 35x7.5 Un-Perforated
- 05 | 35x15 M6 Perforated 15mm slot (Only for Steel)
- 06 | 35x15 M6 Perforated 18mm slot (Only for Steel)
- 07 | 35x15 Un-Perforated (Only for Steel)

## Specifications

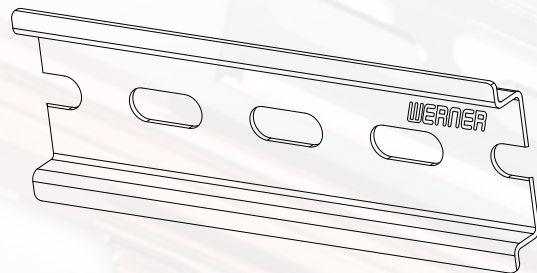
Description	Units	Steel Blue	Steel Yellow	Steel Copper	Copper	Aluminium+ Anodizing plated
Designed in accordance / similar to EN 60715		●	●	●	●	●
Base Metal-cold rolled low carbon steel according to DIN EN 10130		●	●	●	ETP grade copper	5052 Grade
Electroplated coating of zinc according to DIN EN 10130		●	●	●	Un-coated	Coated
Passivation according to DIN EN 12329		●	●	●		
Electroplated coating Fe/Zn8//B		●	●			
Electroplated coating Fe/Zn12//C		●	●			
Zinc Coating thickness	Micron	8 ~ 12	8 ~ 12	8 ~ 12		8 ~ 12
Passivation film thickness	nm	200-400	200-400			
Colour appearance		Light iridescence (Silver)	Iridescence (Yellow)	Iridescence copper	Copper coloured	Aluminium Coloured
NSS neutral salt spray White Rust (Minimum) Corrosion Stability	Hours	120	120	120		
NSS neutral salt spray Red Rust (Minimum) Corrosion Stability	Hours	240	240	240		
CE Compliances		●	●	●	●	●
May be used as grounding busbars (PE function) according to IEC 60947-7-2						
Standard length	Metre	1 or 2	1 or 2	1 or 2	1 or 2	1 or 2
Availability in custom cut length	mm	●	●	●	●	●
Box Size (L x H x W)mm	1 metre / 20 pcs. 1020 x 40 x 87	2 metre / 20 pcs. 2010 x 40 x 90				

## Mechanical Specification

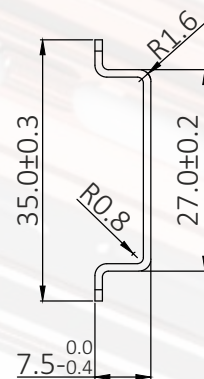
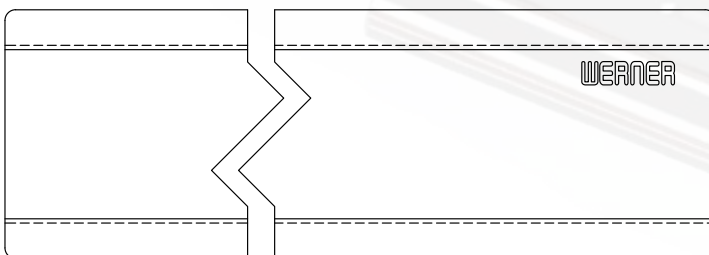
### 35x7.5mm Un-Perforated Type



### 35x7.5mm Perforated Type



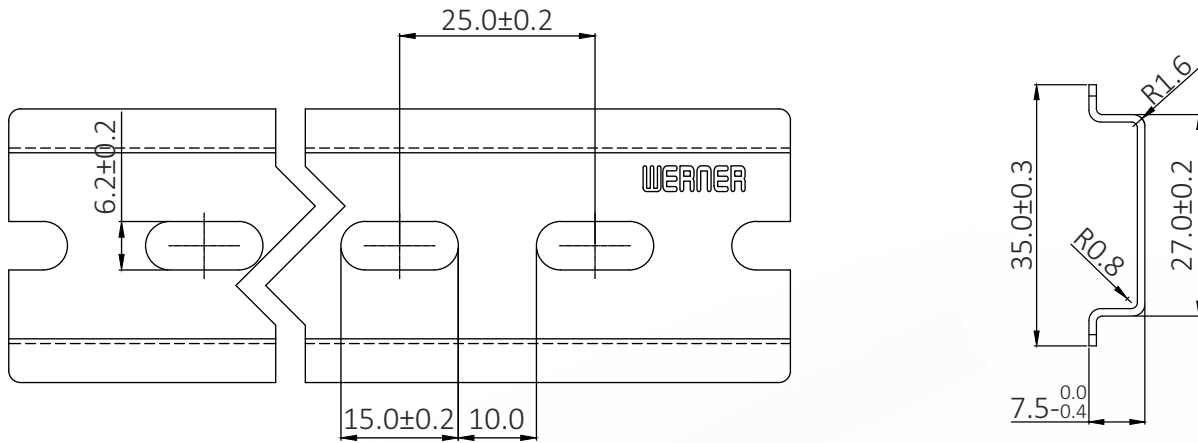
### 35x7.5mm Un-Perforated



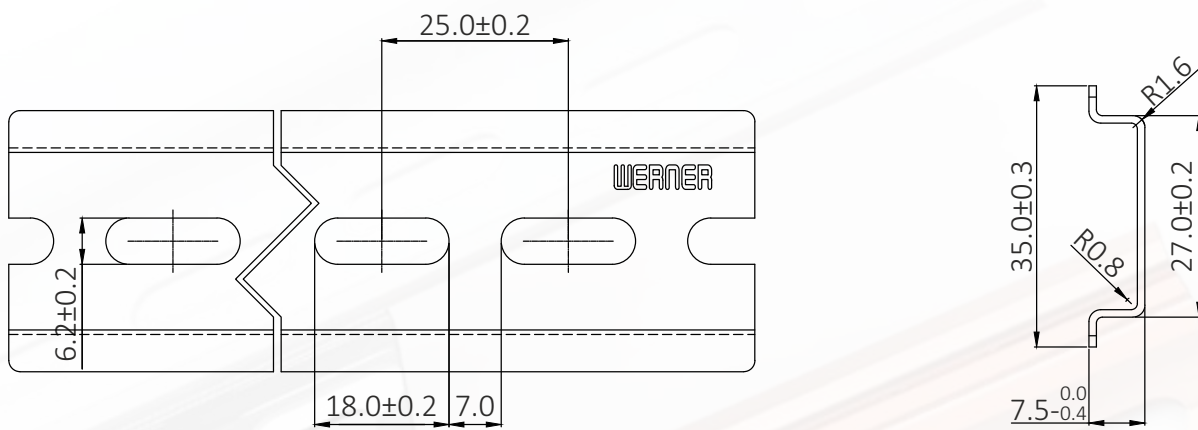
77 Series

Mechanical Specification

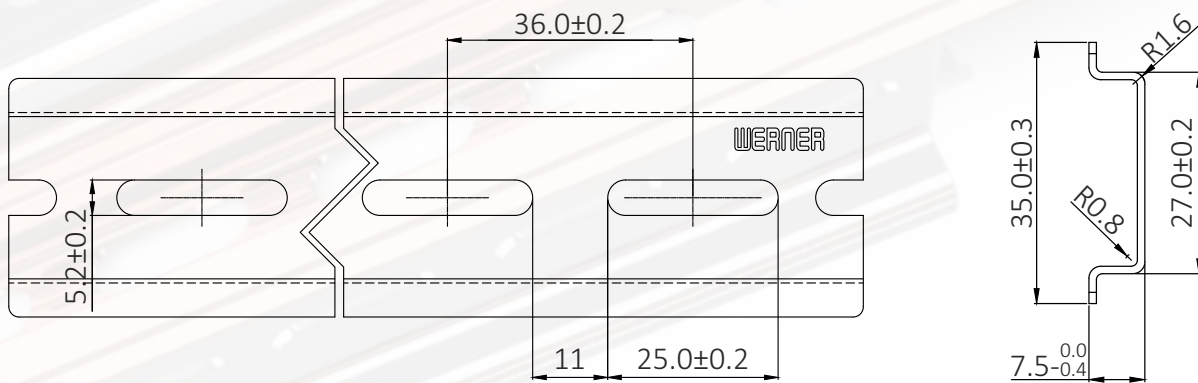
35x7.5 mm M6 Perforated 15mm slot



35x7.5 mm M6 Perforated 18mm slot

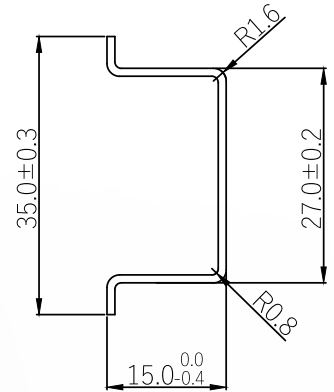
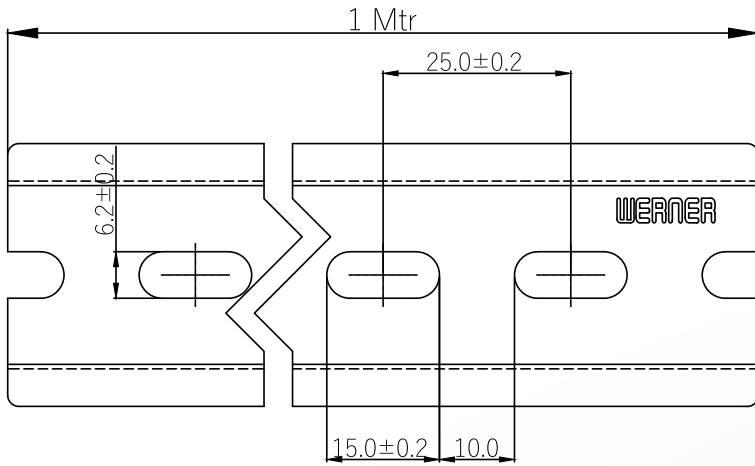


35x7.5 mm M5 Perforated 25mm slot

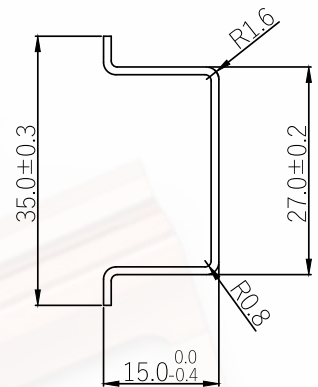
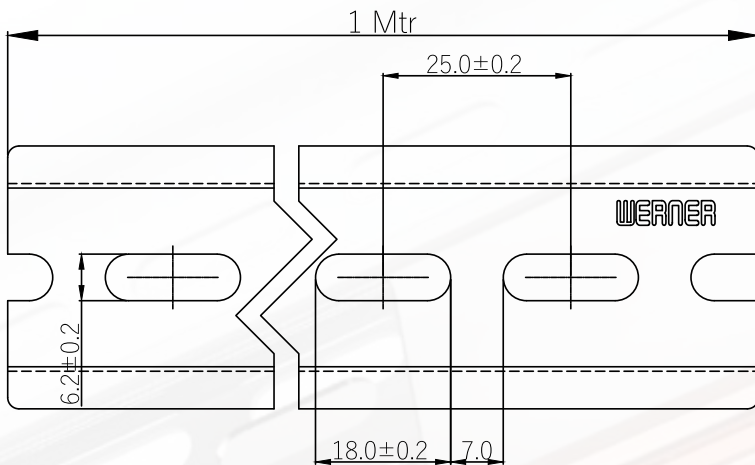


Mechanical Specification

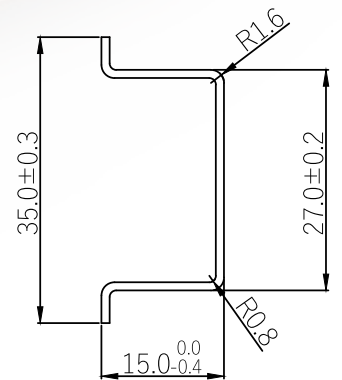
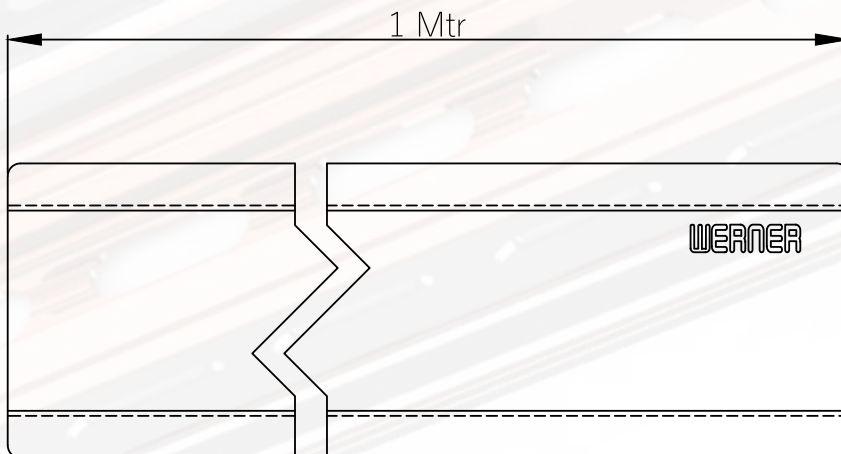
35x15 mm M6 Perforated 15mm slot



35x15 mm M6 Perforated 18mm slot



35x15 mm Un-Perforated







---

**WERNER**

For more information contact:

**Werner Electric Pvt. Ltd.,**

Plot No. 166, Hebbal Industrial Area, Mysore - 570016, India

Tel: +91-9686321242 • E: [info@in.wernerelektrik.com](mailto:info@in.wernerelektrik.com)

[www.wernerelektrik.com](http://www.wernerelektrik.com)